

DIGGER

F R A M E
MANUAL

NUKEPROOF

CONGRATULATIONS ON YOUR PURCHASE
AND WELCOME TO THE NUKEPROOF FAMILY!
WE HOPE YOU ENJOY THE RIDE!

#ENJOYRESPONSIBLY

CONTENTS PAGE

03 // FRAME INFORMATION

04 // GEOMETRY

FRAME INFORMATION

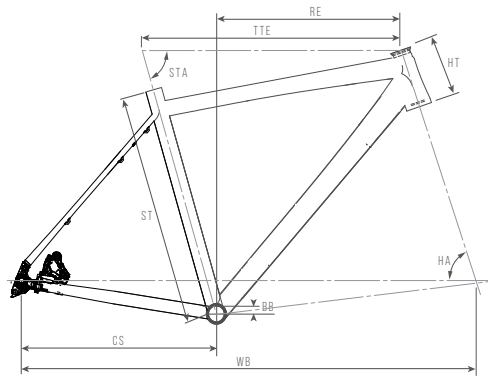
DIGGER

DIGGER ALLOY

FRAME MATERIAL	HYDROFORMED 6061 TRIPLE-BUTTED ALUMINIUM
FORK MATERIAL	HIGH MODULUS T700 HM-UD CARBON TAPERED STEERER
AXLE TO CROWN	400MM
FORK OFFSET	45MM
WHEELS SIZE	27.5" (WILL ACCEPT 700CX42C)
MAX TYRE SIZE	27.5"X47C/700CX42C
SIZING	50CM/52CM/54CM/58CM
HEADTUBE	42-52 TAPERED INTEGRATED
HEADSET	IS42-28.6 - IS52.1/40
SEATPOST	31.6MM (INTERNAL ROUTING FOR DROPPER SEATPOST)
SEAT CLAMP	34.9MM
BB	THREADED 73MM BSA
REAR HUB	142X12MM
REAR AXLE	M12-142*P1.5*170L
FRONT AXLE	M12*P1.5*120L
BRAKE MOUNT	FLAT MOUNT
STEM LENGTHS	50CM:70MM /52CM:80MM/ 55CM:90MM/ 58CM:100MM
PROTECTION	KEVLAR CHAINSTAY PROTECTOR

GEOMETRY

DIGGER



DIGGER

FRAME SIZE	SMALL	MEDIUM	LARGE	X-LARGE
(ST) SEATTUBE LENGTH	470MM	490MM	520MM	550MM
(TTE) EFFECTIVE TOP TUBE LENGTH	538MM	555MM	570MM	590MM
(HT) HEADTUBE LENGTH	105MM	125MM	155MM	175MM
(HA) HEADTUBE ANGLE	71°	71°	71°	71°
(WB) WHEELBASE	1011.5MM	1024.5MM	1039.5MM	1062MM
(CS) CHAINSTAY LENGTH	425MM	425MM	425MM	425MM
(STE) EFFECTIVE SEATTUBE ANGLE	74°	74°	74°	74°
(BB) BOTTOM BRACKET DROP	-70	-70	-70	-70
(RE) REACH	385MM	397MM	403MM	418MM
STACK	533MM	553MM	581MM	600MM
FORK TRAVEL	N/A	N/A	N/A	N/A
FORK OFFSET	45MM	45MM	45MM	45MM
AXLE TO CROWN	400MM	400MM	400MM	400MM
SEAT POST DIAMETER	31.6MM	31.6MM	31.6MM	31.6MM
BOTTOM BRACKET TYPE	THREADED 68MM BSA	THREADED 68MM BSA	THREADED 68MM BSA	THREADED 68MM BSA
HEADSET TYPE	42MM/52MM INTEGRATED	42MM/52MM INTEGRATED	42MM/52MM INTEGRATED	42MM/52MM INTEGRATED



FOR ANY MORE INFORMATION PLEASE VISIT WWW.NUKEPROOF.COM

#REDEFINEYOURLIMIT