

MEGA

F R A M E
MANUAL

 NUKEPROOF

CONGRATULATIONS ON YOUR PURCHASE
AND WELCOME TO THE NUKEPROOF FAMILY!
WE HOPE YOU ENJOY THE RIDE!

#ENJOYRESPONSIBLY

CONTENTS PAGE

03-04 // 275 FRAME INFORMATION

05-06 // 290 FRAME INFORMATION

07-08 // MEGA 275 GEOMETRY

09-10 // MEGA 290 GEOMETRY

11-12 // EXPLODED DIAGRAMS + PARTS TABLE

13-14 // TORQUE, THREADLOCK + GREASE DIAGRAMS

275 ALLOY FRAME INFORMATION

MEGA

MEGA 275 ALLOY

MATERIAL	HYDROFORMED 6061 TRIPLE-BUTTED ALUMINIUM
FORK TRAVEL	170MM (RS 180MM)
AXLE TO CROWN	562MM (RS 572MM)
FORK OFFSET	46MM
SHOCK TRAVEL	165MM
WHEELS SIZE	27.5"
MAX TYRE SIZE	2.5"
SHOCK SIZE	230X65MM
SHOCK HARDWARE F	25X8MM
SHOCK HARDWARE R	30X8MM
SIZING	S/M/ML/L/XL
HEADTUBE	44-56MM TAPERED SEMI-INTEGRATED
HEADSET	ZS44-28.6 - T2 / ZS56/40 - B8
BEARINGS REQUIRED	2X NP-5 (6902 2RS), 4X NP-7 (6800 2RS), 4X NP-9 (61802-2RS1 EXTENDED)
SEATPOST	31.6MM (INTERNAL ROUTING FOR DROPPER SEATPOST)
SEAT CLAMP	34.9MM
BB	THREADED 73MM BSA
REAR HUB	BOOST 148X12MM
REAR AXLE	SRAM MAXLE STEALTH M12X1.75 180MM
CHAIN GUIDE	ISCG05
BRAKE MOUNT	160MM DIRECT POST
PROTECTION	3D CONTOURED RUBBER FRAME PROTECTION FOR DT/SS/CS

275 CARBON FRAME INFORMATION

MEGA

MEGA 275 CARBON

MATERIAL	ULTRA STRONG T700/800 MONOCOQUE CARBON FIBRE
FORK TRAVEL	170MM (RS 180MM)
AXLE TO CROWN	562MM (RS 572MM)
FORK OFFSET	46MM
SHOCK TRAVEL	165MM
WHEELS SIZE	27.5"
MAX TYRE SIZE	2.5"
SHOCK SIZE	230X65MM
SHOCK HARDWARE F	25X8MM
SHOCK HARDWARE R	30X8MM
SIZING	S/M/ML/L/XL
HEADTUBE	44-56MM TAPERED SEMI-INTEGRATED
HEADSET	ZS44-28.6 - T2 / ZS56/40 - B8
BEARINGS REQUIRED	2X NP-5 (6902 2RS), 4X NP-7 (6800 2RS), 4X NP-9 (61802-2RS1 EXTENDED)
SEATPOST	31.6MM (INTERNAL ROUTING FOR DROPPER SEATPOST)
SEAT CLAMP	36.4MM
BB	THREADED 73MM BSA
REAR HUB	BOOST 148X12MM
REAR AXLE	SRAM MAXLE STEALTH M12X1.75 180MM
CHAIN GUIDE	ISCG05
BRAKE MOUNT	160MM DIRECT POST
PROTECTION	3D CONTOURED RUBBER FRAME PROTECTION FOR DT/SS/CS

290 ALLOY FRAME INFORMATION

MEGA

MEGA 290 ALLOY

MATERIAL	HYDROFORMED 6061 TRIPLE-BUTTED ALUMINIUM
FORK TRAVEL	170MM (RS 180MM)
AXLE TO CROWN	582MM (RS 591MM)
FORK OFFSET	44MM
SHOCK TRAVEL	160MM
WHEELS SIZE	29"
MAX TYRE SIZE	2.5"
SHOCK SIZE	230X62.5MM
SHOCK HARDWARE F	25X8MM
SHOCK HARDWARE R	30X8MM
SIZING	M/L/XL
HEADTUBE	44-56MM TAPERED SEMI-INTEGRATED
HEADSET	ZS44-28.6 - T2 / ZS56/40 - B8
BEARINGS REQUIRED	2X NP-5 (6902 2RS), 4X NP-7 (6800 2RS), 4X NP-9 (61802-2RS1 EXTENDED)
SEATPOST	31.6MM (INTERNAL ROUTING FOR DROPPER SEATPOST)
SEAT CLAMP	34.9MM
BB	THREADED 73MM BSA
REAR HUB	BOOST 148X12MM
REAR AXLE	SRAM MAXLE STEALTH M12X1.75 180MM
CHAIN GUIDE	ISCG05
BRAKE MOUNT	160MM DIRECT POST
PROTECTION	3D CONTOURED RUBBER FRAME PROTECTION FOR DT/SS/CS

290 CARBON FRAME INFORMATION

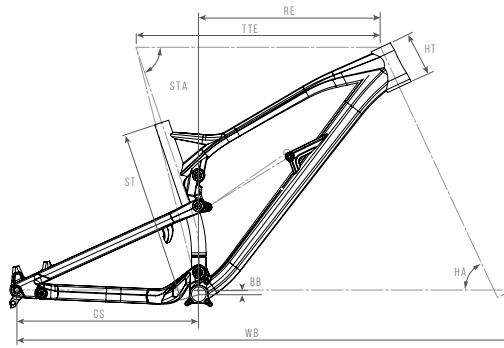
MEGA

MEGA 290 CARBON

MATERIAL	ULTRA STRONG T700/800 MONOCOQUE CARBON FIBRE
FORK TRAVEL	170MM (RS 180MM)
AXLE TO CROWN	582MM (RS 591MM)
FORK OFFSET	44MM
SHOCK TRAVEL	160MM
WHEELS SIZE	29"
MAX TYRE SIZE	2.5"
SHOCK SIZE	230X62.5MM
SHOCK HARDWARE F	25X8MM
SHOCK HARDWARE R	30X8MM
SIZING	M/L/XL
HEADTUBE	44-56MM TAPERED SEMI-INTEGRATED
HEADSET	ZS44-28.6 - T2 / ZS56/40 - B8
BEARINGS REQUIRED	2X NP-5 (6902 2RS), 4X NP-7 (6800 2RS), 4X NP-9 (61802-2RS1 EXTENDED)
SEATPOST	31.6MM (INTERNAL ROUTING FOR DROPPER SEATPOST)
SEAT CLAMP	36.4MM
BB	THREADED 73MM BSA
REAR HUB	BOOST 148X12MM
REAR AXLE	SRAM MAXLE STEALTH M12X1.75 180MM
CHAIN GUIDE	ISCG05
BRAKE MOUNT	160MM DIRECT POST
PROTECTION	3D CONTOURED RUBBER FRAME PROTECTION FOR DT/SS/CS

275 GEOMETRY

MEGA

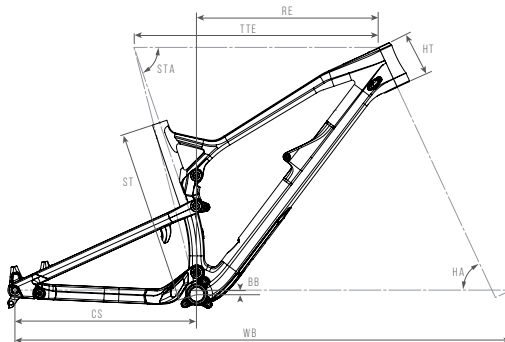


MEGA 275 (ALLOY/CARBON)

FRAME SIZE	SMALL	MEDIUM	MEDIUM LONG	LARGE	X-LARGE
(ST) SEATTUBE LENGTH	381MM / 15"	420MM / 16.5"	420MM / 16.5"	458MM / 18"	508MM / 20"
(TTE) EFFECTIVE TOP TUBE LENGTH	560MM	586MM	602.5MM	623MM	669MM
(HT) HEADTUBE LENGTH	105MM	105MM	105MM	115MM	120MM
(HA) HEADTUBE ANGLE	64.5°	64.5°	64.5°	64.5°	64.5°
(WB) WHEELBASE	1165MM	1190MM	1209	1229MM	1276MM
(CS) CHAINSTAY LENGTH	435MM	435MM	435MM	435MM	435MM
(STE) EFFECTIVE SEATTUBE ANGLE	75.5°	75.5°	75.5°	75.5°	75.5°
(BB) BOTTOM BRACKET DROP	-10MM	-10MM	-10MM	-10MM	-10MM
BOTTOM BRACKET HEIGHT	344MM	344MM	344MM	344MM	344MM
(RE) REACH	410MM	435MM	452.5MM	470MM	515MM
STACK	590MM	590MM	590MM	600MM	604MM
FORK TRAVEL	170MM	170MM	170MM	170MM	170MM
FORK OFFSET	46MM	46MM	46MM	46MM	46MM
AXLE TO CROWN	562MM	562MM	562MM	562MM	562MM
SEAT POST DIAMETER	31.6MM	31.6MM	31.6MM	31.6MM	31.6MM
BOTTOM BRACKET TYPE	THREADED 73MM BSA	THREADED 73MM BSA	THREADED 73MM BSA	THREADED 73MM BSA	THREADED 73MM BSA
HEADSET TYPE	ZS 44MM/56MM SEMI INTEGRATED	ZS 44MM/56MM SEMI INTEGRATED	ZS 44MM/56MM SEMI INTEGRATED	ZS 44MM/56MM SEMI INTEGRATED	ZS 44MM/56MM SEMI INTEGRATED

275 RS GEOMETRY (+10MM FORKS)

MEGA



MEGA 275 RS (ALLOY/CARBON)

FRAME SIZE	SMALL	MEDIUM	MEDIUM LONG	LARGE	X-LARGE
(ST) SEATTUBE LENGTH	381MM / 15"	420MM / 16.5"	420MM / 16.5"	458MM / 18"	508MM / 20"
(TTE) EFFECTIVE TOP TUBE LENGTH	561MM	587MM	604MM	624MM	670MM
(HT) HEADTUBE LENGTH	105MM	105MM	105MM	115MM	120MM
(HA) HEADTUBE ANGLE	64°	64°	64°	64°	64°
(WB) WHEELBASE	1169MM	1194MM	1213MM	1233MM	1280MM
(CS) CHAINSTAY LENGTH	435MM	435MM	435MM	435MM	435MM
(STE) EFFECTIVE SEATTUBE ANGLE	75°	75°	75°	75°	75°
(BB) BOTTOM BRACKET DROP	-7MM	-7MM	-7MM	-7MM	-7MM
BOTTOM BRACKET HEIGHT	347MM	347MM	347MM	347MM	347MM
(RE) REACH	406MM	431MM	448MM	466MM	511MM
STACK	593.5MM	593.5MM	593.5MM	603.5MM	607.5MM
FORK TRAVEL	180MM	180MM	180MM	180MM	180MM
FORK OFFSET	46MM	46MM	46MM	46MM	46MM
AXLE TO CROWN	572MM	572MM	572MM	572MM	572MM
SEAT POST DIAMETER	31.6MM	31.6MM	31.6MM	31.6MM	31.6MM
BOTTOM BRACKET TYPE	THREADED 73MM BSA	THREADED 73MM BSA	THREADED 73MM BSA	THREADED 73MM BSA	THREADED 73MM BSA
HEADSET TYPE	ZS 44MM/56MM SEMI INTEGRATED	ZS 44MM/56MM SEMI INTEGRATED	ZS 44MM/56MM SEMI INTEGRATED	ZS 44MM/56MM SEMI INTEGRATED	ZS 44MM/56MM SEMI INTEGRATED

290 GEOMETRY

MEGA

MEGA 290 (ALLOY/CARBON)

FRAME SIZE	MEDIUM	LARGE	X-LARGE
(ST) SEATTUBE LENGTH	420MM / 16.5"	450MM / 18"	480MM / 19"
(TTE) EFFECTIVE TOP TUBE LENGTH	601MM	618.5MM	665.5MM
(HT) HEADTUBE LENGTH	100MM	110MM	120MM
(HA) HEADTUBE ANGLE	64.5°	64.5°	64.5°
(WB) WHEELBASE	1236.5MM	1256MM	1305MM
(CS) CHAINSTAY LENGTH	450MM	450MM	450MM
(STE) EFFECTIVE SEATTUBE ANGLE	76.75°	76.75°	76.75°
(BB) BOTTOM BRACKET DROP	-30MM	-30MM	-30MM
BOTTOM BRACKET HEIGHT	336MM	336MM	336MM
(RE) REACH	455MM	470MM	515MM
STACK	620.5MM	630MM	638.5MM
FORK TRAVEL	170MM	170MM	170MM
FORK OFFSET	44MM	44MM	44MM
AXLE TO CROWN	582MM	582MM	582MM
SEAT POST DIAMETER	31.6MM	31.6MM	31.6MM
BOTTOM BRACKET TYPE	THREADED 73MM BSA	THREADED 73MM BSA	THREADED 73MM BSA
HEADSET TYPE	ZS 44MM/56MM SEMI INTE-GRATED	ZS 44MM/56MM SEMI INTE-GRATED	ZS 44MM/56MM SEMI INTE-GRATED

290 RS GEOMETRY (+10MM FORK)

MEGA

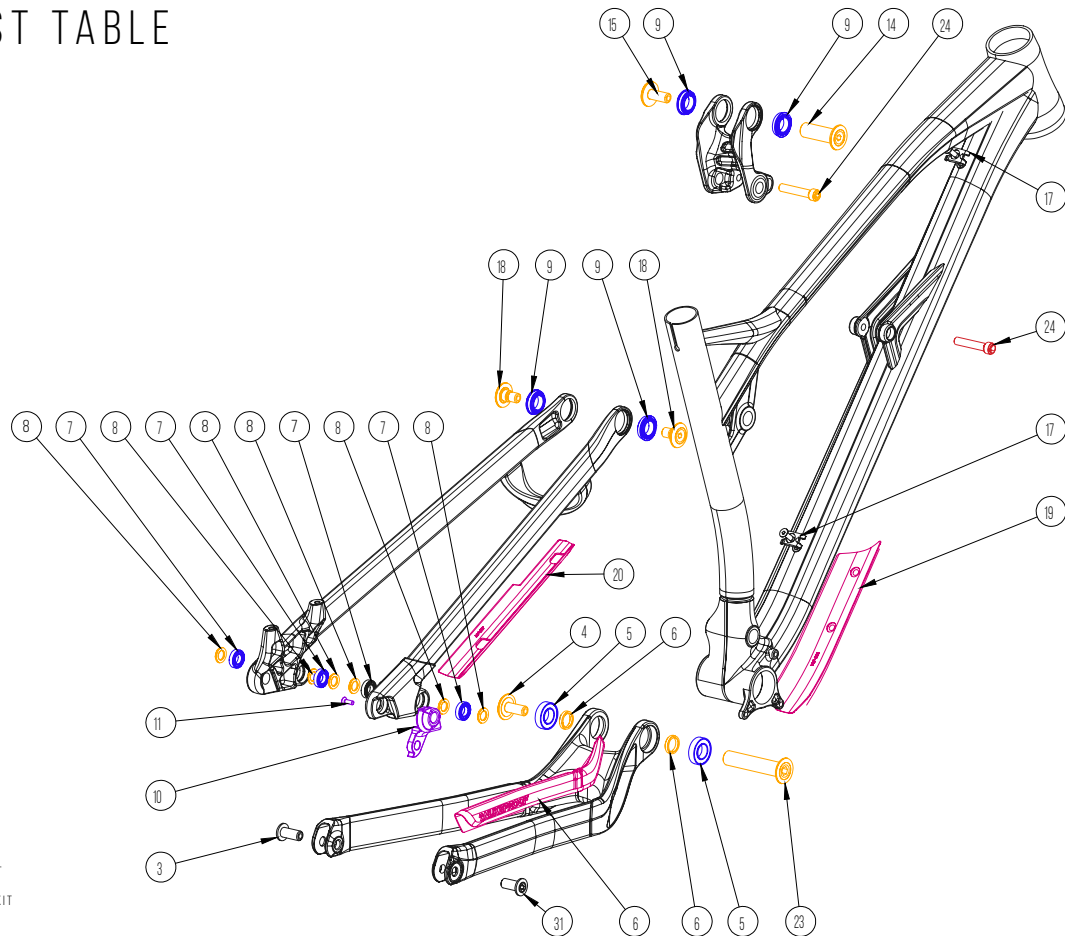
MEGA 290 RS (ALLOY/CARBON)

FRAME SIZE	MEDIUM	LARGE	X-LARGE
(ST) SEATTUBE LENGTH	420MM / 16.5"	450MM / 18"	480MM / 19"
(TTE) EFFECTIVE TOP TUBE LENGTH	602MM	620MM	667MM
(HT) HEADTUBE LENGTH	100MM	110MM	120MM
(HA) HEADTUBE ANGLE	64°	64°	64°
(WB) WHEELBASE	1241MM	1260MM	1309MM
(CS) CHAINSTAY LENGTH	450MM	450MM	450MM
(STE) EFFECTIVE SEATTUBE ANGLE	76.3°	76.3°	76.3°
(BB) BOTTOM BRACKET DROP	-27MM	-27MM	-27MM
BOTTOM BRACKET HEIGHT	339MM	339MM	339MM
(RE) REACH	450.5MM	465.5MM	510.5MM
STACK	624MM	633MM	642MM
FORK TRAVEL	180MM	180MM	180MM
FORK OFFSET	44MM	44MM	44MM
AXLE TO CROWN	591MM	591MM	591MM
SEAT POST DIAMETER	31.6MM	31.6MM	31.6MM
BOTTOM BRACKET TYPE	THREADED 73MM BSA	THREADED 73MM BSA	THREADED 73MM BSA
HEADSET TYPE	ZS 44MM/56MM SEMI INTE-GRATED	ZS 44MM/56MM SEMI INTE-GRATED	ZS 44MM/56MM SEMI INTE-GRATED

PARTS LIST TABLE

MEGA

- SHOCK BOLT KIT
- BEARING KIT
- HARDWEAR PIVOT KIT
- FRAME PROTECTION KIT
- HANGER KIT



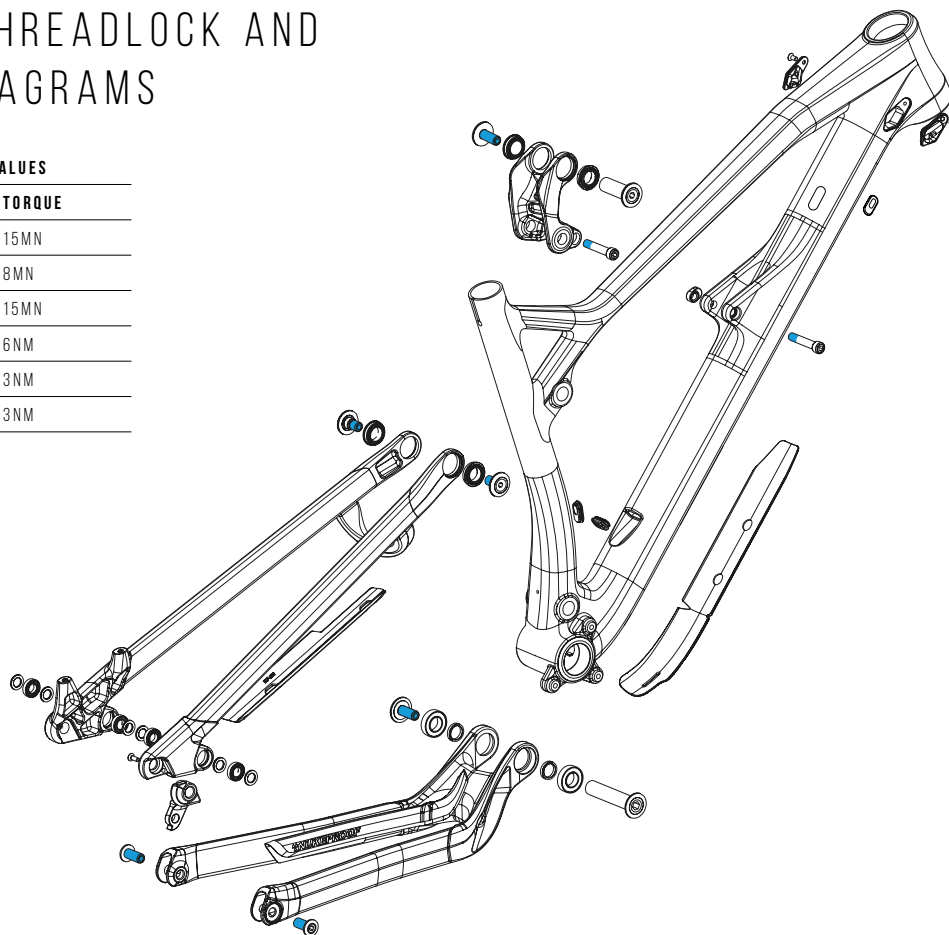
ITEM #	NUKEPROOF #	DESCRIPTION	QTY
3	NPMG-3	CHAIN STAY CLEVIS BOLT	2
4	NPMG-4	MAIN PIVOT BOLT	1
5	NPMG-5	6902-2RS	2
6	NPMG-6	MAIN PIVOT SPACER	2
7	NPMG-7	6902-2RS	4
8	NPMG-8	CHAIN STAY CLEVIS SPACER	6
9	NPMG-9	61802-2RS1 EXTENDED	4
10	NPMG-10	HANGER	1
11	NPMG-11	M4X12 HANGER SCREW	1
14	NPMG-14	SWING LINK AXLE	1
15	NPMG-15	SWING LINK BOLT	1
16	NPMG-16	CHAIN STAY PROTECTOR	1
17	NPMG-17	CABLE GUIDE	2
18	NPMG-18	SEAT STAY CLEVIS AXLE NUT	2
19	NPMG-19	DT PROTECTOR	1
20	NPMG-20	SS PROTECTOR	1
23	NPMG-23	MAIN PIVOT AXLE	1
24	NPMG-24	SHOCK BOLT	2

TORQUE, THREADLOCK AND GREASE DIAGRAMS

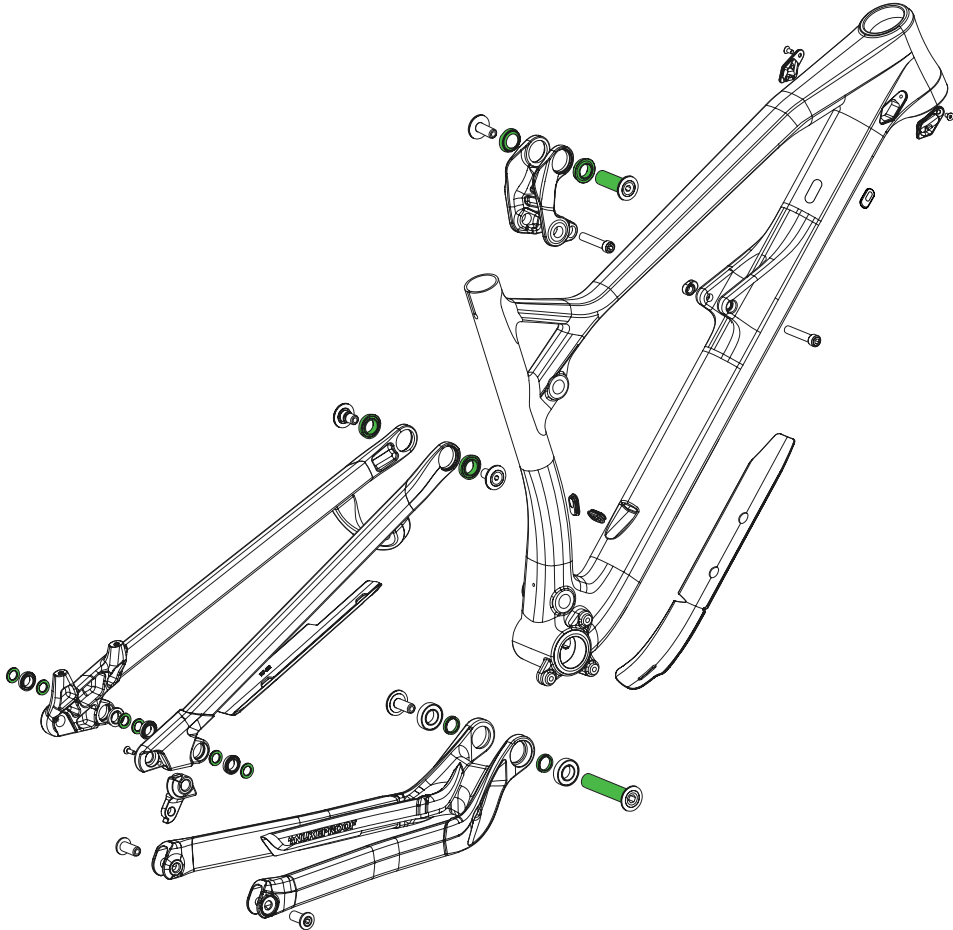
MEGA

RECOMMENDED TORQUE VALUES

PART NUMBER	TORQUE
SHOCK BOLTS	15MN
SWING LINK	8MN
MAIN PIVOT	15MN
HORST LINK	6NM
CABLE GUIDE	3NM
HANGER	3NM



 THREADLOCK



 GREASE



FOR ANY MORE INFORMATION PLEASE VISIT WWW.NUKEPROOF.COM

#REDEFINEYOURLIMIT